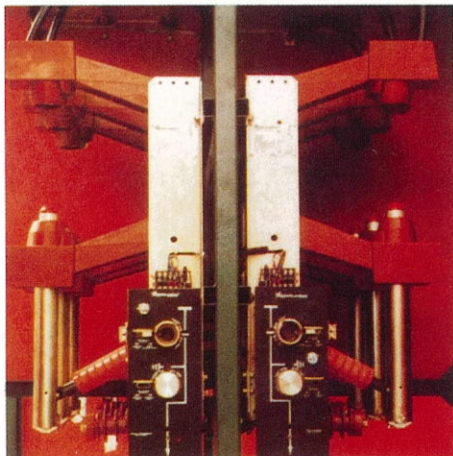
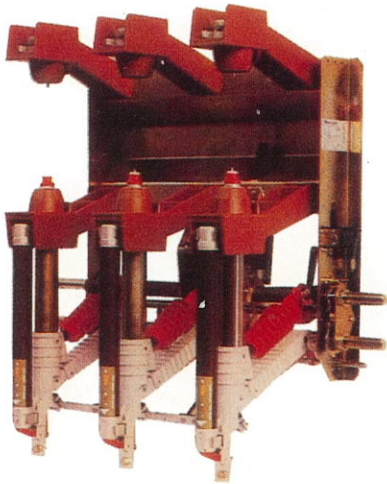
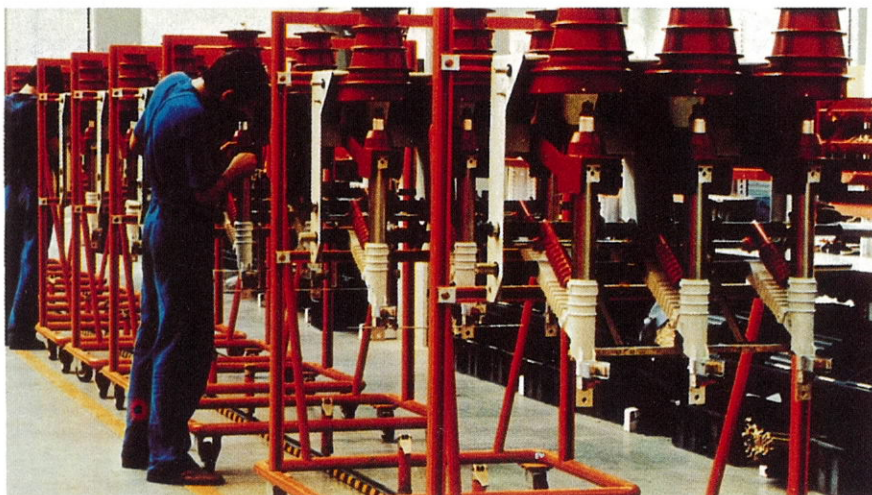


# VEI 高壓負載開關

(VEI load-break switches)

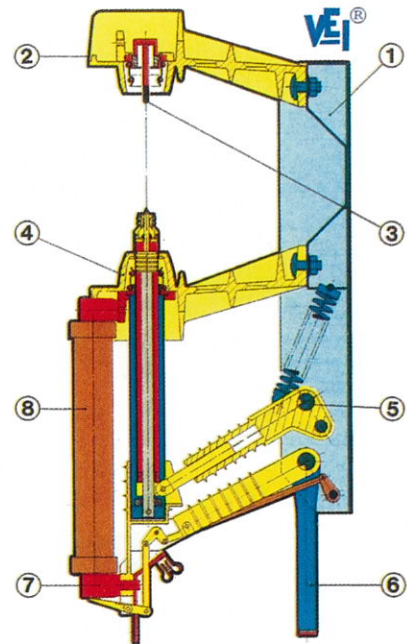


Rated voltage	kv	12	24
Maximum service voltage	kv	12	24
Withstand voltage to hearth and between poles	kv	28	50
Withstand voltage across the isolating distance	kv	32	60
Impulse withstand voltage to earth and between poles	kv	75	125
Impulse withstand voltage across the isolating distance	kv	85	145
Rated current	A	630	630
Breaking capacity for active circuits( $\cos \phi$ 0.7) and for ring-circuits	A	630	630
Breaking capacity for no-load transformer	A	16	16
Breaking capacity for no-load line and cables	A	25	25
Short-time current - 1s	kA	16~20	16~20
Making capacity	kA	40~50	40~50

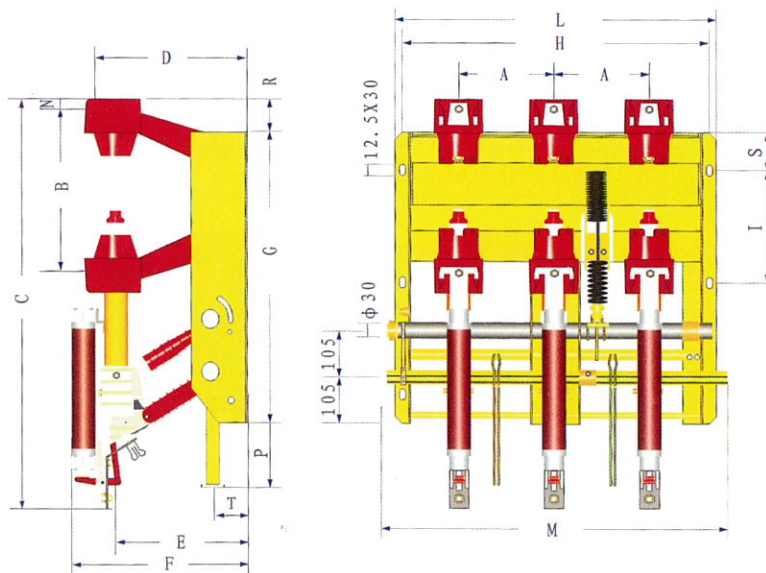


## SECTIONAL VIEW OF A LOAD-BREAK SWITCH POLE ISARC-P

1. Frame
2. Upper insulator
3. Upper fixed arcing contact
4. Lower insulator
5. Main shaft
6. Earthing blades
7. Fuse holder
8. Fuse



## OVERALL DIMENSIONS AND WEIGHTS



Type	kv	Dimension mm.								Weight
		A	B	C	D	E	F	G	H	
	12	210	380	900	335	290	395	655	620	65
	24	300	455	1070	403	375	480	770	800	80
<b>ISARC-2P</b>		<b>I</b>	<b>L</b>	<b>M</b>	<b>N</b>	<b>P</b>	<b>R</b>	<b>S</b>	<b>T</b>	
	12	300	660	790	35	125	80	100	78	65
	24	400	840	1080	50	200	90	35	96	80